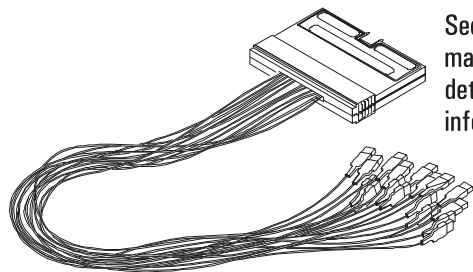




Agilent Technologies

E5381A Differential Flying Lead Probe Set

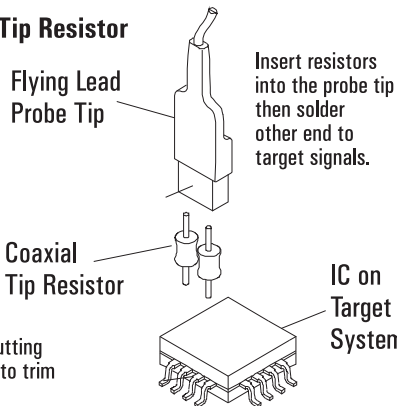


See your manual for detailed information.

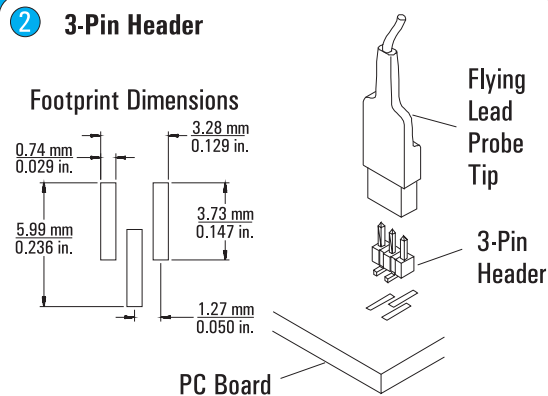
Recommended Probe Configurations

The following configurations are shown in the order of best performance.

1 Coaxial Tip Resistor (80Ω)

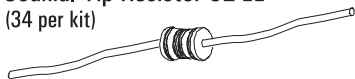


2 3-Pin Header



Accessories

E5381-82101
Coaxial Tip Resistor 82 Ω
(34 per kit)



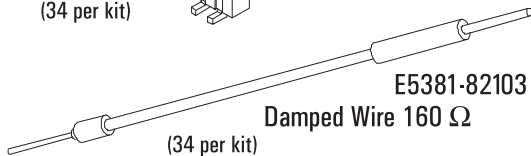
E5381-82102
Socket Adapter
(34 per kit)



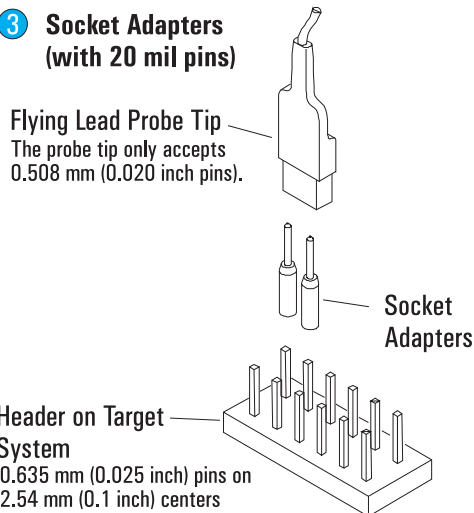
E5381-82104
3-Pin Header
(34 per kit)



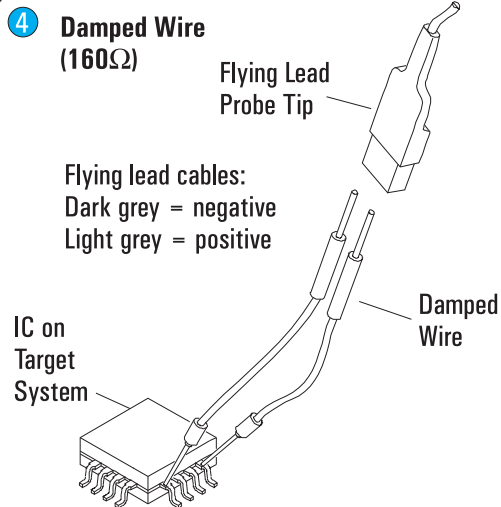
E5381-82103
Damped Wire 160 Ω
(34 per kit)



3 Socket Adapters (with 20 mil pins)



4 Damped Wire (160Ω)



Agilent Technologies
Printed in USA

Part Number
E5381-92000

